



Features

- Elegant and stylish chassis design
- 15" TFT LCD with 5-wire resistive touch display
- Supports IP64 water spill proof to enhance user experience
- Fanless design for long life span (PT5000/ PT5200)
- Support VESA mount
- Built-in VFD and second display (optional)
- Adjustable tilt angle for display
- Easy installation and maintenance for motherboard and HDD
- Modular design for display and system
- Optional RFID, MSR & iButton module mountable for both side of display

PT5000 Series Specification

Model no.		PT5000	PT5200	PT5300
Display	LCD Display Size		15" TFT LCD	
	Max. Resolution		1024*768	
	Brightness		250 cd/m ²	
	Touch Screen		5-wire resistive	
	Electrical Interface		1 Channel LVDS	
	Support Color		16.2M / 262K colors	
	Backlight		CCFL	
Touch Panel	Lamp Life		50,000 Hrs	
	Type		Five-Wire analog resistive	
	Input Mode		Stylus or finger	
Processor	Life Time		10 million touches	
	CPU/ Chipset	Intel® Atom™ N270, 1.6GHz / 945GSE + ICH7-M	Intel® Atom D525, 1.8GHz / ICH8-M	Intel® Core™ i3-2120 3.3GHz Intel® Pentium® G850 2.9GHz Intel® Celeron® G540 2.5GHz
Memory		One SO-DIMM socket supports DDR2 400/533 up to 2GB	One SO-DIMM socket supports DDR3 800 up to 4GB	One SO-DIMM socket supports DDR3 800 up to 8GB
Graphic Memory		Dynamic Video Memory Technology (DVMT) 3.0 supports up to 224MB of video memory	Dynamic Video Memory Technology (DVMT) 4.0 supports up to 256MB of video memory	
Storage	IDE		X 1	N/A
	CF	X 1 (by daughter board)	X 1	N/A
	SATA	1 x 2.5" SATA I HDD	1 x 2.5" SATA II HDD	1 x 2.5" SATA II HDD
I/O connectors	USB 2.0		X 4 (front x 2, rear x 2)	
	PS/2		1 (for keyboard)	
	Powered Serial		X 3 (D-type 9 pins powered COM with DC 5V / 12V selection)	
	Cash Drawer Port		X 1 (12V RJ11 cash drawer port)	
	Audio Port		X 1 (Line-out)	
	VGA Connector		X 1	
	Parallel		X 1	
	12V DC out		X 1 (optional)	
Network	LAN		X 1 (RJ45 10/100/1000 Base-T)	
Environment	Temperature	Operation	32° to 95° F (0° to 35° C)	
		Storage	-4° to 140° F (-20° to 60° C)	
	Relative Humidity		20% to 80% non-condensing	
Chassis Housing / Color		Plastic and metal / black and white		
Power Supply		60W / 100W power adapter	120W / 180W power adapter	
OS Support		XP Professional, POS Ready 2009, XP Embedded, Win 7		
Option		MSR(ISO Track 1/2/3) / iButton / VFD / Second Display / RFID (MiFare, 13.56MHz)		
Dimension		373 (W) x 319 (H) x 348 (D) mm		
Regulatory Compliance		CE/ FCC/ LVD	CE/ FCC/ LVD	CE/ FCC/ LVD

Specifications subject to change without notice.

Features Highlight



Elegant and stylish chassis design



Optional MSR & iButton module mountable for both side of display



Easy maintenance for HDD & motherboard

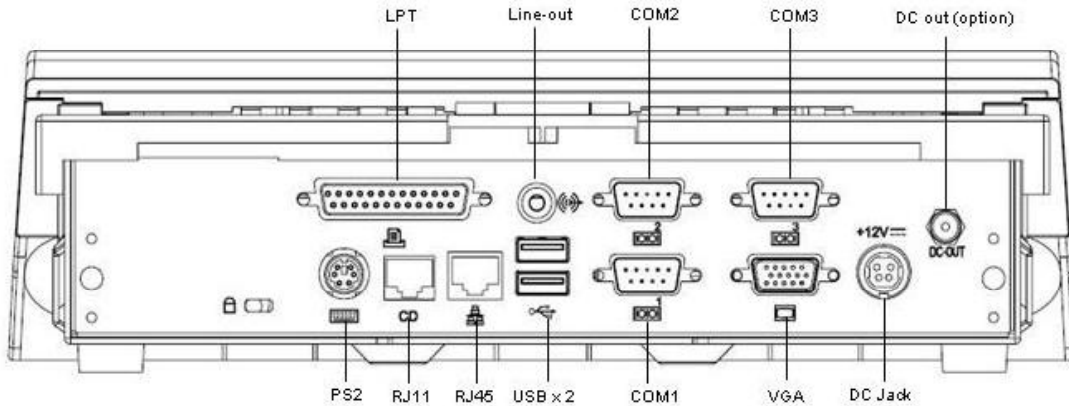


Built-in VFD (optional)

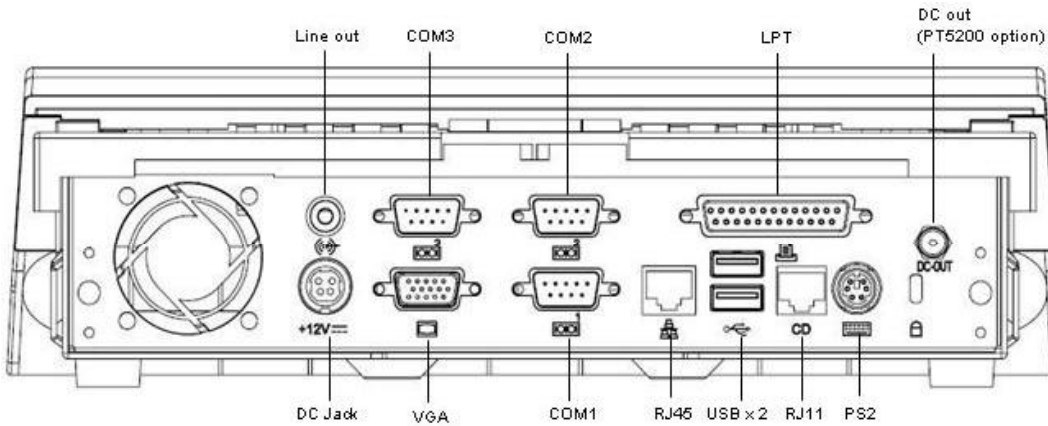


Adjustable tilt angle for display

PT5000 Mechanical Layout / Drawing



PT5200 Mechanical Layout / Drawing



PT5300 Mechanical Layout / Drawing

