



## Features

- Fully-integrated POS terminal
- Intel Atom D2550 1.86GHz dual core processor
- Support optical multi-touch display activated by a finger or gloved hand
- Fanless design for long life span
- Scratch-proof with 7H degree hardness surface (optical touch screen)
- IP64 water & dust-proof front panel protection
- Brilliant LED backlight panel for better readability (optional)
- Versatile mounting solution (panel mount) to fit your decor
- Robust and slim shape design
- Easy to access storage for installation and maintenance
- Optional built-in iButton and MIFARE RFID reader
- Optional built-in 2D barcode reader
- Optional peripherals including MSR, VFD and fingerprint reader

## PT8000 Series Specification

Model no.		PT8000		
<b>Display</b>	LCD Display Size	TFT LCD		
	Max. Resolution	1024x768		
	Brightness	250 cd/m <sup>2</sup>	400 cd/m <sup>2</sup>	
	Support Color	16.2M/ 262K colors		
	Backlight	CCFL	LED	
<b>Touch Panel</b>	Type	Five-Wire Analog Resistive Type or Optiocal Type		
<b>Processor</b>	CPU/ Chipset	Intel® Atom™ D2550 1.86GHz		
<b>Memory</b>	One SO-DIMM socket supports DDR3 RAM up to 4GB			
<b>Graphic Memory</b>	Intel® GMA3650 supports Hardware H.264/AVC, MPEG-2 video decoder, VC-1, DirectX 9, 1080p decoder			
<b>Storage</b>	<ul style="list-style-type: none"> <li>● CFast x 1</li> <li>● 2.5" SATAII HDD x 1</li> </ul>			
<b>I/O connectors</b>	USB 2.0	X 4		
	PS/2	X 1 (for Keyboard)		
	Powered COM	X 2 (D-type 9 pins powered COM with DC 5V/ 12V selection)		
	COM	X 1 (RJ45 CONN)		
	Cash Drawer Port	X 1 (12V RJ11 cash drawer port)		
	Audio Port	Line-out	X 1	
		Mic-in	X 1	
	VGA	X 1		
Parallel	X 1 (optional)			
<b>Network</b>	LAN	X 1 (RJ45 10/100/1000 Base-T)		
<b>Option</b>	VFD/ MSR/ iButton/ Fingerprint reader/ Smart card reader/ 2D Barcode scanner			
<b>Environment</b>	Temperature	Operation	32° to 95° F (0° to 35° C)	
		Storage	-4° to 140° F (-20° to 60° C)	
	Relative Humidity	20% to 80% non-condensing		
<b>Power Supply</b>	65W or 90W power adapter			
<b>OS Support</b>	Linux/ Windows CE/ Windows XP Embedded/ Windows Embedded Standard/ Windows Embedded POSReady			
<b>Chassis Housing</b>	Plastic			
<b>Dimension</b>	376(W) x 361(H) x 273(D) mm			

## Features



Optical multi-touch technology utilizing a durable glass front surface



Built-in iButton and RFID reader



Built-in 2D barcode reader

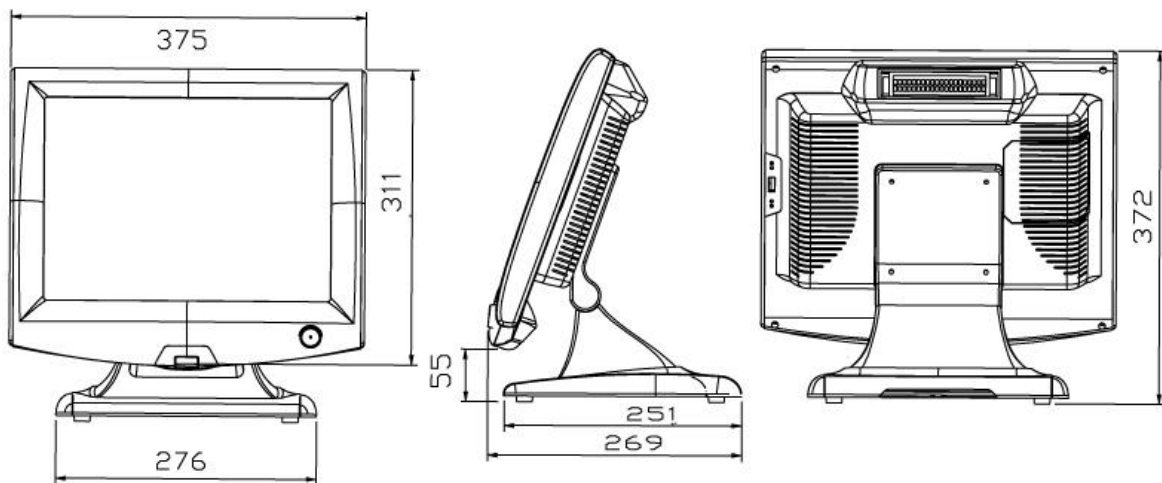


Optional peripherals including MSR, VFD and fingerprint reader



Support panel mount for better construction and decoration

## Mechanical Layout / Drawing



## I/O drawing

